



# Automation Valve Accessories Air Filter

## Features

- \* Totally modular system.
- \* Precise regulation and control.
- \* Large bowl capacities.
- \* Bowl guards are standard for protection.

## General Specifications / Construction

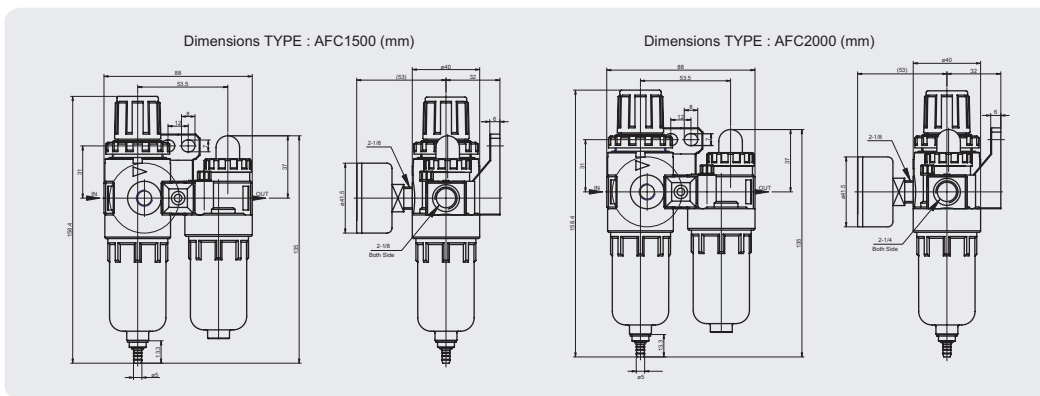
Media :	Compressed Air
Max. Operating Pressure :	135 psi (9.3 bar)
Max. Regulated Pressure :	6 to 121 psi (0.4 to 8.4 bar)
Ambient Temperature Range :	41 ∞F to 140 ∞F(5∞C to 60 ∞C)
Std. Filter Density:	40 microns
Body :	Aluminum
Bowls :	PC



FIG NO : AFC1500  
FIG NO : AFC2000

## FRL Specifications

PORT SIZE	Water Bowl Capacity total	Oil Bowl Capacity total	Figure Number
1/8" PT	15CC	25CC	AFC-1500
1/4" PT	15CC	25CC	AFC-2000



## Features

- \* Totally modular system.
- \* Precise regulation and control.
- \* Large bowl capacities.
- \* Bowl gaurds are standard for protection.

## General Specifications / Construction

Media :	Compressed Air
Max. Operating Pressure :	135 psi (9.3 bar)
Max. Regulated Pressure :	6 to 121 psi (0.4 to 8.4 bar)
Ambient Temperature Range :	41 ∞F to 140 ∞F(5∞C to 60 ∞C)
Std. Filter Density:	40 microns
Body :	Aluminum
Bowls :	PC



FIG NO : BFC2000  
FIG NO : BFC3000  
FIG NO : BFC4000

## FRL Specifications

PORT SIZE	Water Bowl Capacity total cl.	Oil Bowl Capacity total cl.	Figure Number
1/4" PT	60CC	90CC	BFC-2000
3/8" PT	60CC	90CC	BFC-3000
1/2" PT	60CC	90CC	BFC-4000

